

PhantomNet

An end-to-end mobile network testbed

Kobus Van der Merwe

Why another mobile network testbed?

- Mobile networking growing traffic-wise and growing in importance
 - Mobile devices increasing in sophistication and becoming the “compute platform of choice”
- Current network architectures (LTE/EPC) are packet based
 - But under the hood look a lot like their circuit switched forebears
- Major technology trends reshaping the way we do things
 - Cloud computing, software defined networking, network function virtualization
- Current measurement studies
 - From the “outside”, no ground truth

Need a realistic “playground” where as a community we can:

- **explore/invent mobile network architectures in an end-to-end manner**
- **look “under the hood” of existing mobile network architectures**

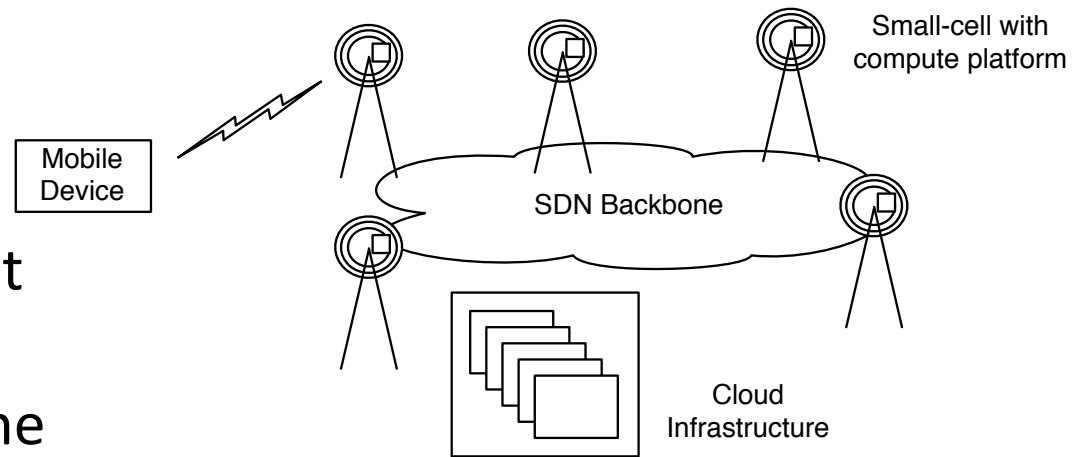
PhantomNet

Programmable end-to-end mobile testbed to enable research at the intersection of mobile networking, cloud computing and software defined networking

- Remotely accessible and sharable
 - Emulab style

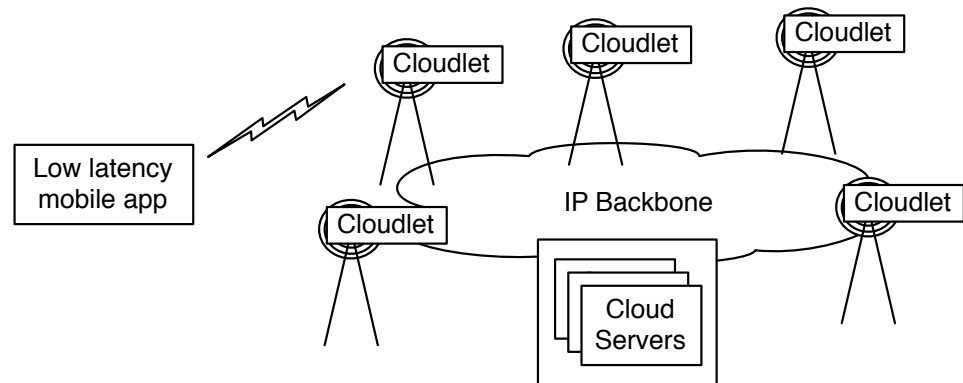
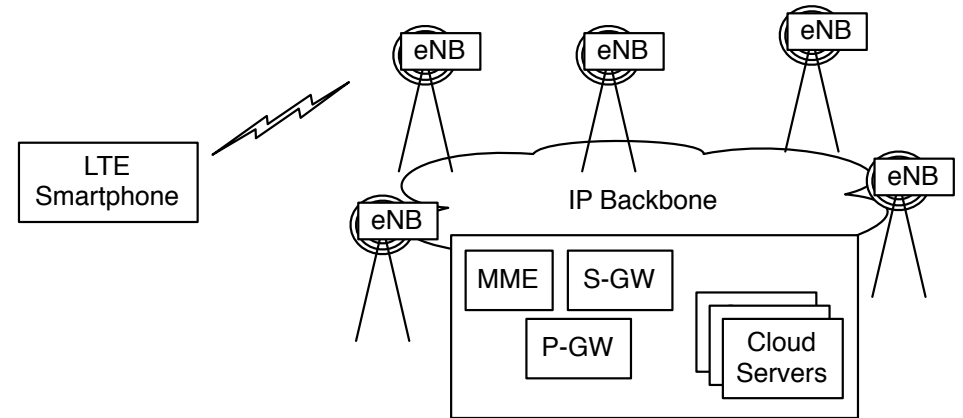
Base functionality

- Physical deployment
 - Mobile devices
 - Small cell deployment (LTE based)
 - SDN capable backbone
 - Cloud infrastructure
- Software
 - “Mobile network toolkit”:
 - Modular evolved packet core (EPC) software
 - Emulab control framework



Mobile network toolkit

- Create “standard” mobile network architectures:
 - E.g., 4G: LTE + EPC
- Replace some/all components to realize different architectures:
 - Cloudlet-like architecture
 - Mobility First approaches
 - Softcell



Status

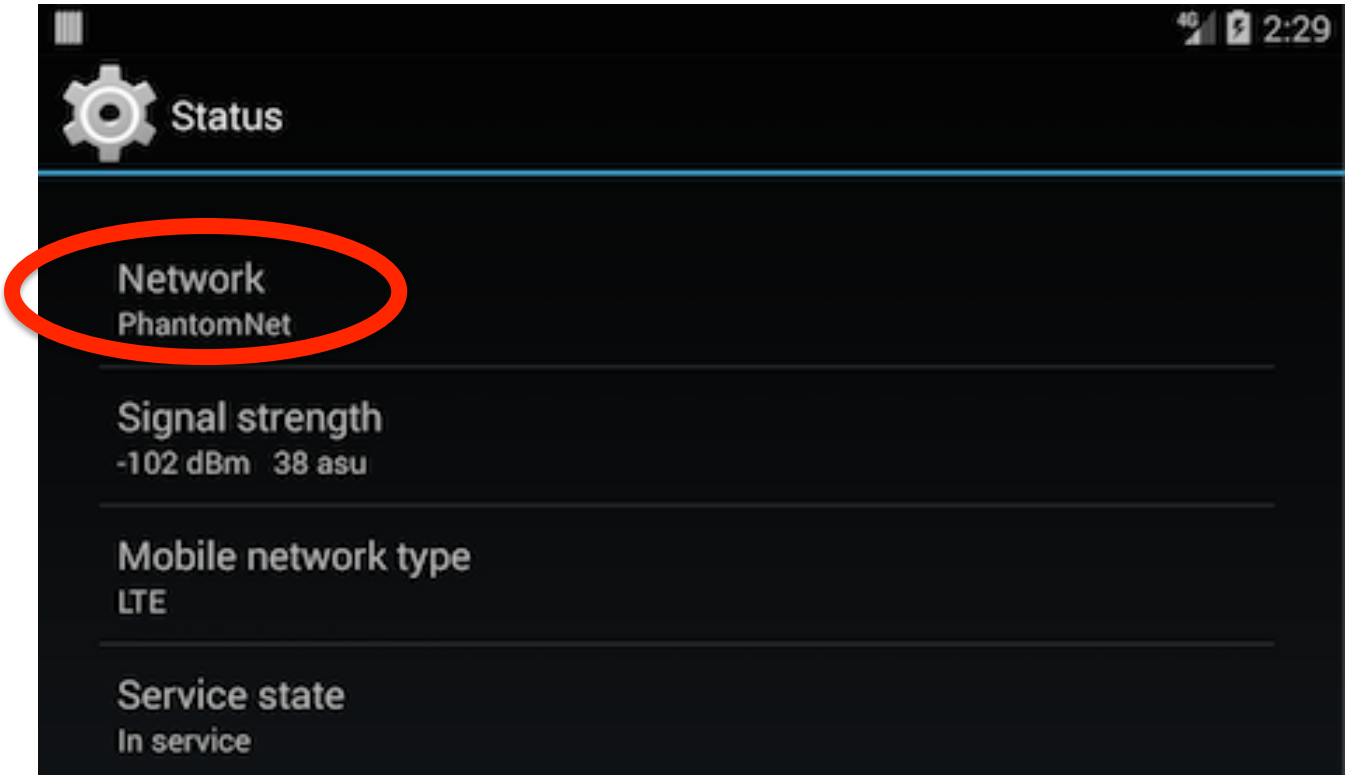
Open for business:

www.phantomnet.org

- Integrated OpenEPC with Emulab
 - Uses emulation for RAN (UE and eNodeB)
 - Specifies LTE/EPC topology using NS file with PhantomNet enhancements
 - Brings up experiment with correct e2e configurations

Status cont.

- Hardware RAN interworking with EPC
 - End-to-end lab setup:
 - UE (Huawei modem, Nexus 7 tablet, Nexus 5 smartphone), eNodeB (ipaccess small cell)
 - band 4
 - Functioning with OpenEPC in Emulab environment



Status cont.

- Used PhantomNet in my Advanced Networking course
- Lab Assignment
 - Goals
 - Introduce to PhantomNet testbed
 - Learn about LTE/EPC
 - Replicate part of recent paper on using SDN in LTE/EPC to realize offloading
 - Own paper from course project in previous version of course
 - Can make assignment available if folks would like to use in their courses
- Using for a number of class projects

Conclusion

- We are looking for users
 - please contact me if you are interested in using PhantomNet
- We are planning to have workshop early next year
 - target: first week of February
 - part “tutorial” on PhantomNet
 - part community input on how to go forward